

c:\Users\julianarodriguez\building_drops, inc\building_drops\building_drops, inc\documents\common\projects\odl, inc\bc-25-0439_1 - submittal - odl fiberglass doors component additions\dwg\opaque\odl013.dwg 12/10/2025 4:21 PM

ODL, INC.

INSWING & OUTSWING OPAQUE FIBERGLASS DOOR (NON-HVHZ)(NON-IMPACT)



215 EAST ROOSEVELT AVE.
ZEELAND, MICHIGAN 49464

PH: (800) 253-3900

GENERAL NOTES:

1. THE PRODUCT SHOWN HEREIN IS DESIGNED AND MANUFACTURED TO COMPLY WITH THE CURRENT EDITION OF THE FLORIDA BUILDING CODE (FBC), **EXCLUDING** HVHZ AND HAS BEEN EVALUATED ACCORDING TO THE FOLLOWING:
 - ASTM E330-14
 - ASTM E331-00
 - ASTM E283-04
2. ADEQUACY OF THE EXISTING STRUCTURAL CONCRETE/MASONRY, 2X FRAMING, AND METAL FRAMING AS A MAIN WIND FORCE RESISTING SYSTEM CAPABLE OF WITHSTANDING AND TRANSFERRING APPLIED PRODUCT LOADS TO THE FOUNDATION IS THE RESPONSIBILITY OF THE ENGINEER OR ARCHITECT OF RECORD FOR THE PROJECT OF INSTALLATION.
3. 1X AND 2X BUCKS (WHEN USED) SHALL BE DESIGNED AND ANCHORED TO PROPERLY TRANSFER ALL LOADS TO THE STRUCTURE. BUCK DESIGN AND INSTALLATION IS THE RESPONSIBILITY OF THE ENGINEER OR ARCHITECT OF RECORD FOR THE PROJECT OF INSTALLATION.
4. INSTALL INDIVIDUAL INSTALLATION ANCHORS WITHIN A TOLERANCE OF ±1/4 INCH OF THE DEPICTED LOCATION IN THE ANCHOR LAYOUT DETAIL (I.E., WITHOUT CONSIDERATION OF TOLERANCES). TOLERANCES ARE NOT CUMULATIVE FROM ONE INSTALLATION ANCHOR TO THE NEXT.
5. THE INSTALLATION DETAILS DESCRIBED HEREIN ARE GENERIC AND MAY NOT REFLECT ACTUAL CONDITIONS FOR A SPECIFIC SITE. IF SITE CONDITIONS CAUSE INSTALLATION TO DEVIATE FROM THE REQUIREMENTS DETAILED HEREIN, A LICENSED ENGINEER OR ARCHITECT SHALL PREPARE SITE SPECIFIC DOCUMENTS FOR USE WITH THIS DOCUMENT.
6. APPROVED IMPACT PROTECTIVE SYSTEM **IS REQUIRED** ON THIS PRODUCT IN AREAS REQUIRING IMPACT RESISTANCE.
7. DOOR SKIN MATERIAL: FIBERGLASS

TABLE OF CONTENTS	
SHEET	SHEET DESCRIPTION
1	GENERAL NOTES
2	PRODUCT SPECIFICATIONS TABLE
3	OXXO ELEVATION
4	OXO ELEVATION
5	X & XX ELEVATIONS
6	ADDITIONAL QUALIFIED PANEL DESIGNS
7	ANCHOR LAYOUTS
8	ANCHOR LAYOUTS
9	VERTICAL SECTIONS
10	VERTICAL SECTIONS
11	VERTICAL SECTIONS
12	HORIZONTAL SECTIONS
13	HORIZONTAL SECTIONS
14	HORIZONTAL SECTIONS
15	HORIZONTAL SECTIONS
16	HORIZONTAL SECTIONS
17	HORIZONTAL SECTIONS
18	ANCHOR DETAILS, ANCHOR SCHEDULE, & INSTALLATION NOTES
19	ANCHOR DETAILS
20	ANCHOR DETAILS
21	ANCHOR DETAILS
22	BILL OF MATERIALS & COMPONENTS
23	COMPONENTS

TITLE:
INSWING & OUTSWING OPAQUE
FIBERGLASS DOOR (NON-HVHZ)
(NON-IMPACT)

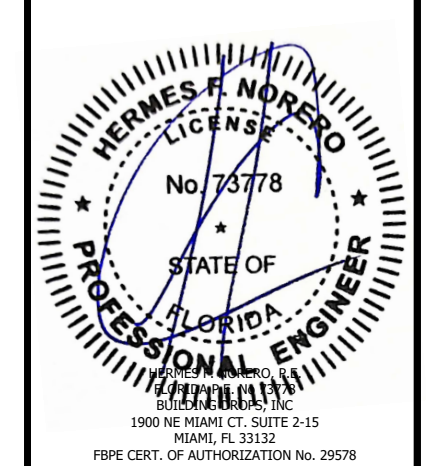
GENERAL NOTES

PREPARED BY:
BUILDING DROPS, INC.
1900 NE MIAMI CT, SUITE 2-15
MIAMI, FL 33132
PH: (954) 399-8478
FAX: (954) 744-4738
WEB: www.buildingdrops.com



REMARKS	BY	DATE

THE INSTALLATION DETAILS DESCRIBED HEREIN ARE GENERIC AND MAY NOT REFLECT ACTUAL CONDITIONS FOR A SPECIFIC SITE. IF SITE CONDITIONS CAUSE INSTALLATION TO DEVIATE FROM THE REQUIREMENTS DETAILED HEREIN, A LICENSED ENGINEER OR ARCHITECT SHALL PREPARE SITE SPECIFIC DOCUMENTS FOR USE WITH THIS DOCUMENT.



FL #: **FL47925**

DATE: **12.08.2025**

DWG. BY: JR	CHK. BY: HFN
--------------------	---------------------

SCALE: **NTS**

DWG. #: **ODL013**

SHEET: **1** OF **23**

c:\users\julianarodriguez\building_drops, inc\building_drops\projects\odl, inc\bc-25-0439_1 - submittal - odl fiberglass doors component additions\dwg\opaque\odl013.dwg 12/10/2025 4:22 PM



215 EAST ROOSEVELT AVE.
ZEELAND, MICHIGAN 49464

PH: (800) 253-3900

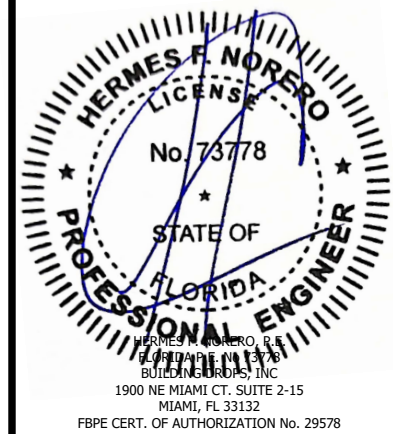
TITLE: INSWING & OUTSWING OPAQUE
FIBERGLASS DOOR (NON-HVHZ)
(NON-IMPACT)
VERTICAL SECTIONS

PREPARED BY:
BUILDING DROPS, INC.
1900 NE MIAMI CT, SUITE 2-15
MIAMI, FL 33132
PH: (954) 399-8478
FAX: (954) 744-4738
WEB: www.buildingdrops.com



REMARKS	BY	DATE

THE INSTALLATION DETAILS DESCRIBED HEREIN ARE GENERIC AND MAY NOT REFLECT ACTUAL CONDITIONS FOR A SPECIFIC SITE. IF SITE CONDITIONS CAUSE INSTALLATION TO DEVIATE FROM THE REQUIREMENTS DETAILED HEREIN, A LICENSED ENGINEER OR ARCHITECT SHALL PREPARE SITE SPECIFIC DOCUMENTS FOR USE WITH THIS DOCUMENT.



HERMES F. NORERO, R.
REGISTERED PROFESSIONAL ENGINEER
BUILDING DROPS, INC.
1900 NE MIAMI CT, SUITE 2-15
MIAMI, FL 33132
FBPE CERT. OF AUTHORIZATION No. 29578

FL #: **FL47925**

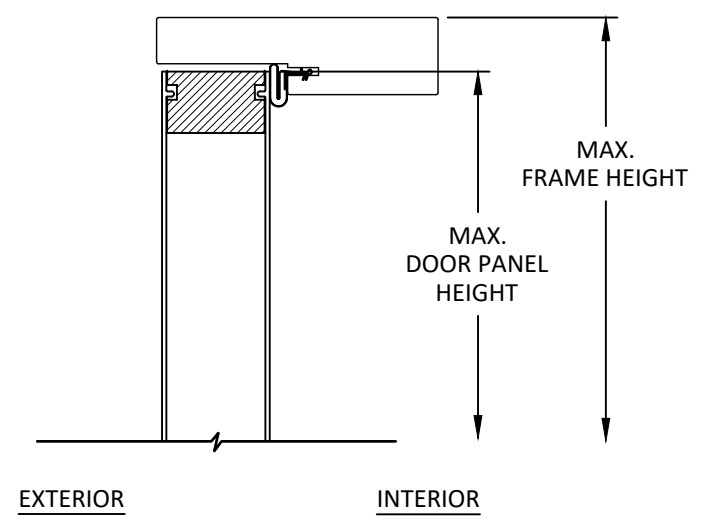
DATE: **12.08.2025**

DWG. BY: **JR** CHK. BY: **HFN**

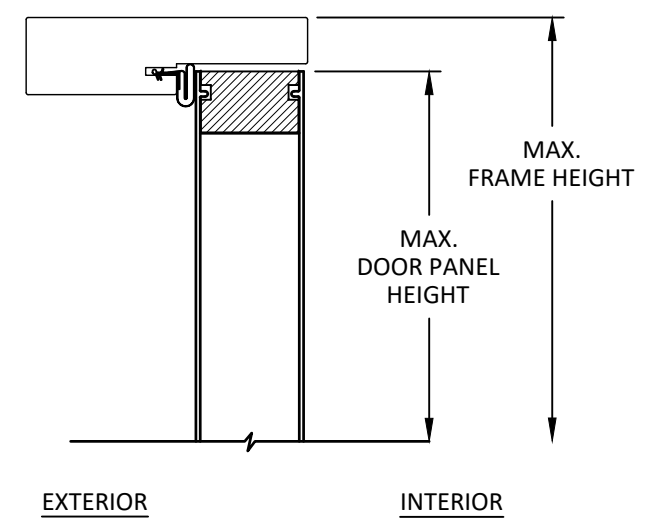
SCALE: **NTS**

DWG. #: **ODL013**

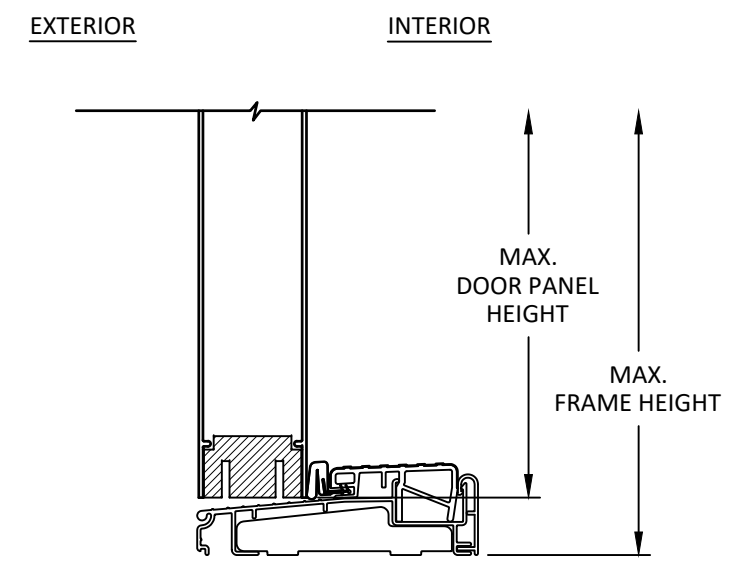
SHEET:
9
OF 23



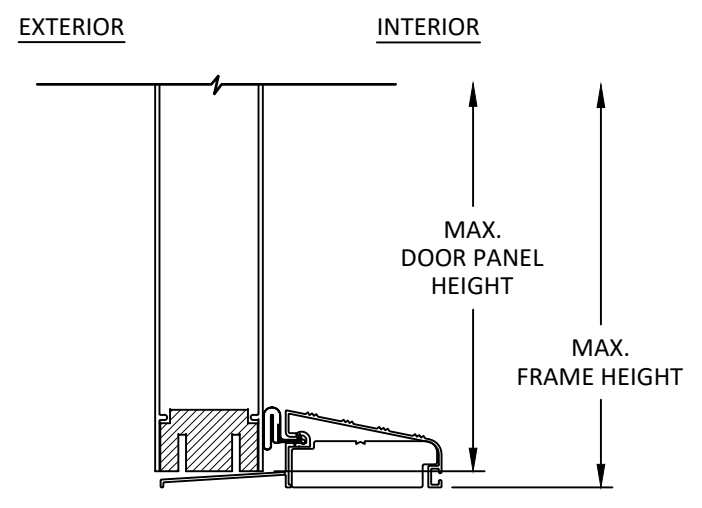
A
9 VERTICAL SECTION
OUTSWING DOOR - HEAD



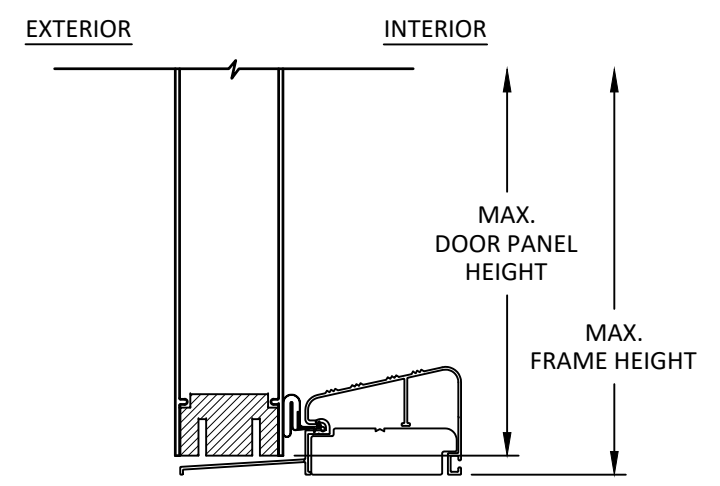
C
9 VERTICAL SECTION
INSWING DOOR - HEAD



E
9 VERTICAL SECTION
ENDURA ZOB4565FN SILL
SIDELITE QUALIFIED FOR USE WITH SILL
CONTINUOUS CONSTRUCTION
RATED TO MAX. DESIGN PRESSURE +/- 50 PSF

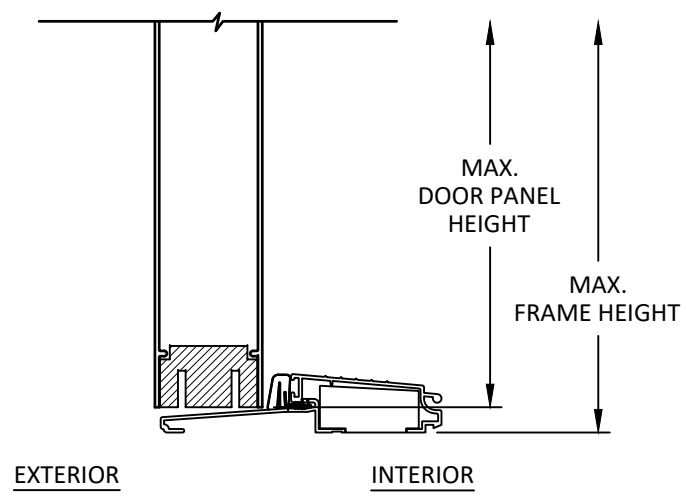


B
9 VERTICAL SECTION
QOSH SILL
SIDELITE QUALIFIED FOR USE WITH SILL
BOX CONSTRUCTION
RATED TO MAX. DESIGN PRESSURE +/- 50 PSF

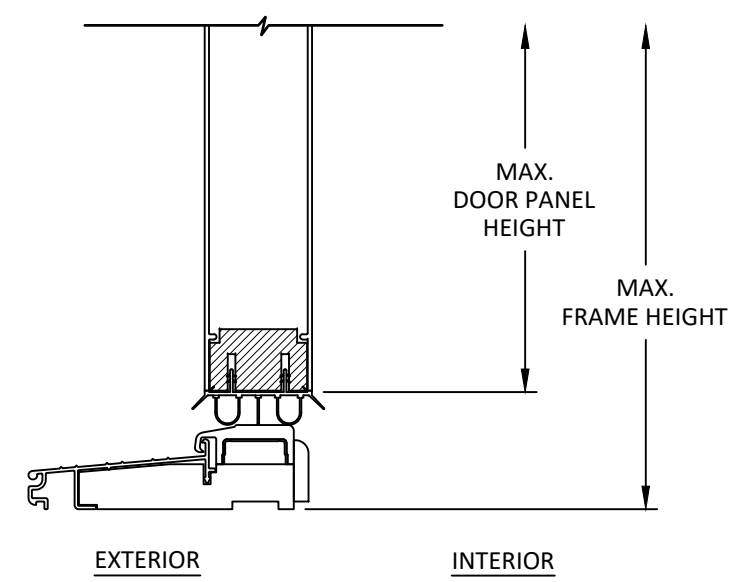


D
9 VERTICAL SECTION
QOSR SILL
SIDELITE QUALIFIED FOR USE WITH SILL
BOX CONSTRUCTION
RATED TO MAX. DESIGN PRESSURE +/- 50 PSF

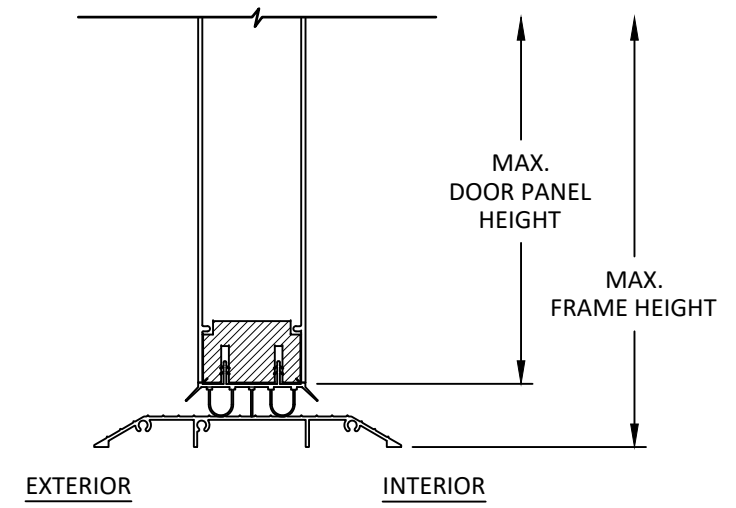
c:\users\julianarodriguez\building_drops, inc\building_drops_projects\odl, inc\bc-25-0439_1 - submittal - odl fiberglass doors component additions\dwg\opaque\odl013.dwg 12/10/2025 4:22 PM



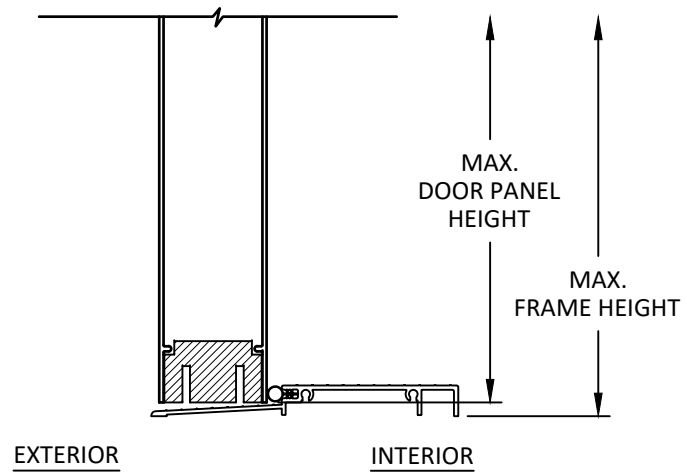
A
11 **VERTICAL SECTION**
AFCO A-117 SILL
SIDELITE QUALIFIED FOR USE WITH SILL
BOX CONSTRUCTION
RATED TO MAX. DESIGN PRESSURE +/- 65 PSF



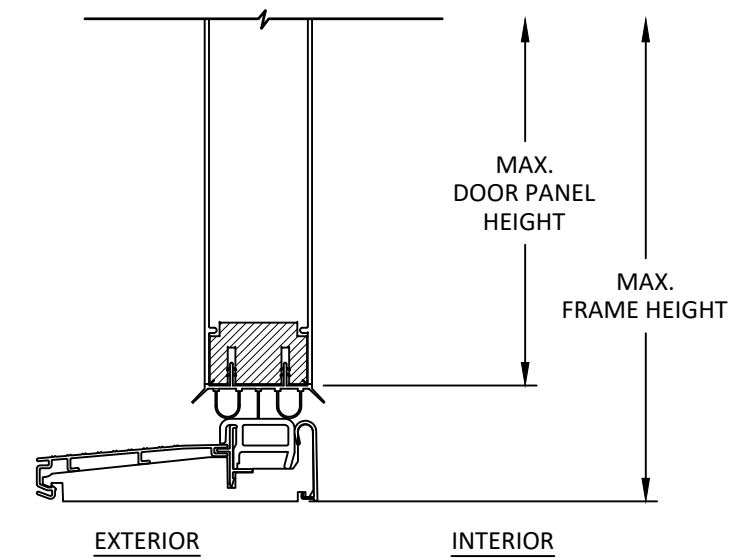
B
11 **VERTICAL SECTION**
AFCO A-276 SILL
SIDELITE QUALIFIED FOR USE WITH SILL IN
COMBINATION WITH AFCO SIDELITE BASE
BOX CONSTRUCTION
RATED TO MAX. DESIGN PRESSURE + 65 / - 70 PSF



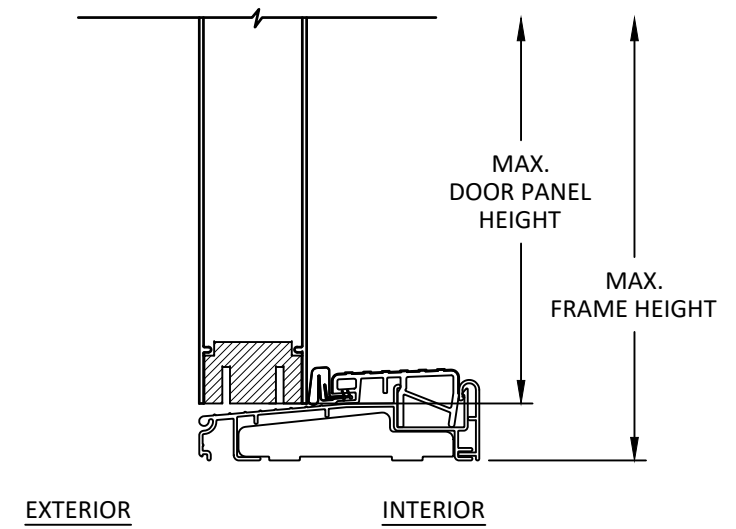
C
11 **VERTICAL SECTION**
AFCO A-204 SILL
SIDELITE QUALIFIED FOR USE WITH SILL
BOX CONSTRUCTION
RATED TO MAX. DESIGN PRESSURE + 65 / - 70 PSF
NOT RATED FOR WATER INFILTRATION



D
11 **VERTICAL SECTION**
AFCO A-204T SILL
SIDELITE QUALIFIED FOR USE WITH SILL
BOX CONSTRUCTION
RATED TO MAX. DESIGN PRESSURE +/- 65 PSF



E
11 **VERTICAL SECTION**
ENDURA ZAILAA4565 SILL
SIDELITE QUALIFIED FOR USE WITH SILL IN
COMBINATION WITH ENDURA SIDELITE BASE
CONTINUOUS & BOX CONSTRUCTION
RATED TO MAX. DESIGN PRESSURE +/- 65 PSF



F
11 **VERTICAL SECTION**
ENDURA ZOBL4565 SILL
SIDELITE QUALIFIED FOR USE WITH SILL
CONTINUOUS & BOX CONSTRUCTION
RATED TO MAX. DESIGN PRESSURE +/- 65 PSF



215 EAST ROOSEVELT AVE.
ZEELAND, MICHIGAN 49464

PH: (800) 253-3900

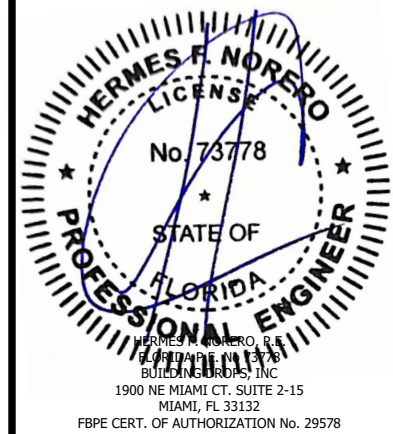
TITLE:
INSWING & OUTSWING OPAQUE
FIBERGLASS DOOR (NON-HVHZ)
(NON-IMPACT)
VERTICAL SECTIONS

PREPARED BY:
BUILDING DROPS, INC.
1900 NE MIAMI CT, SUITE 2-15
MIAMI, FL 33132
PH: (954) 399-8478
FAX: (954) 744-4738
WEB: www.buildingdrops.com



REMARKS	BY	DATE

THE INSTALLATION DETAILS DESCRIBED HEREIN ARE GENERIC AND MAY NOT REFLECT ACTUAL CONDITIONS FOR A SPECIFIC SITE. IF SITE CONDITIONS CAUSE INSTALLATION TO DEVIATE FROM THE REQUIREMENTS DETAILED HEREIN, A LICENSED ENGINEER OR ARCHITECT SHALL PREPARE SITE SPECIFIC DOCUMENTS FOR USE WITH THIS DOCUMENT.



FL #:
FL47925

DATE: **12.08.2025**

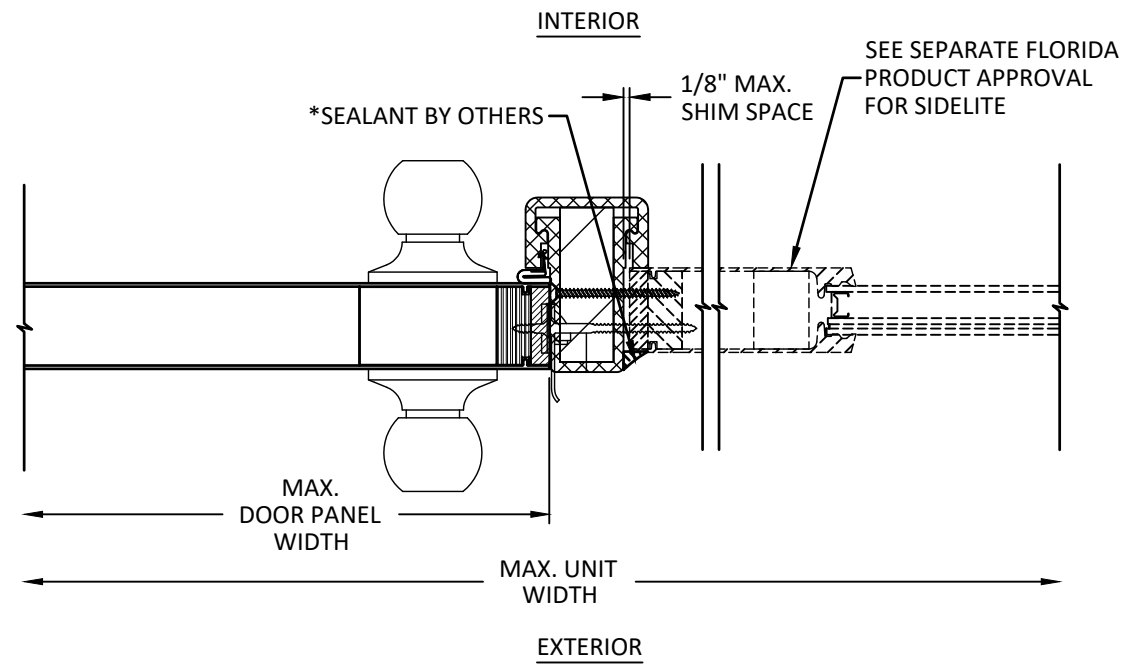
DWG. BY: **JR** CHK. BY: **HFN**

SCALE: **NTS**

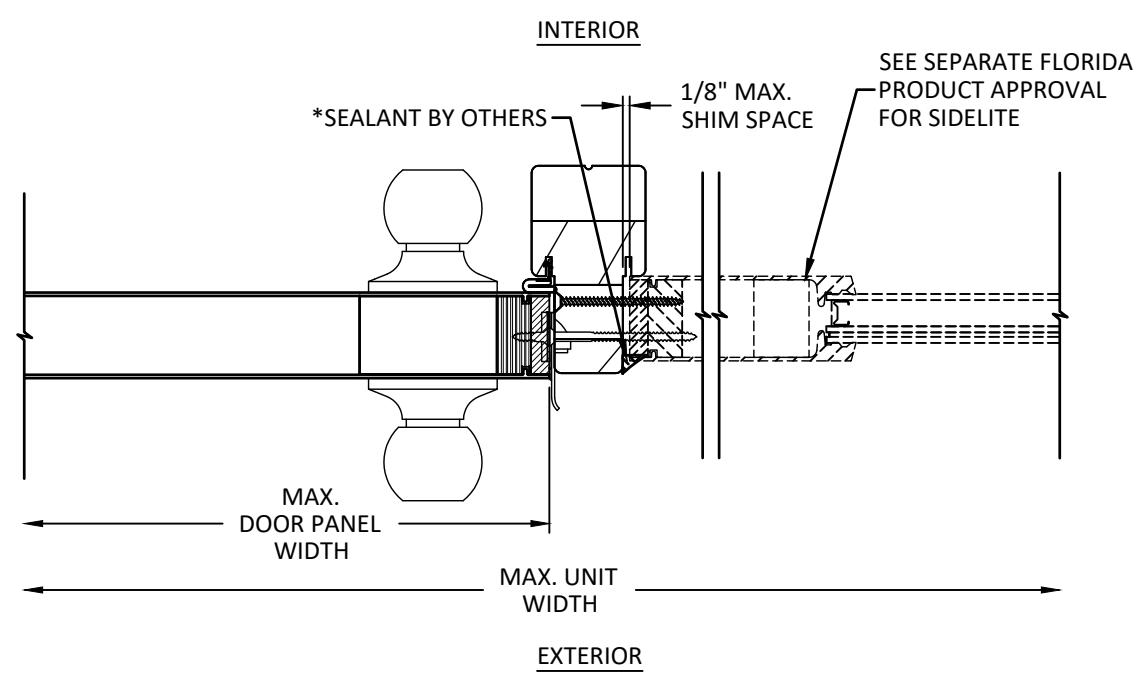
DWG. #: **ODL013**

SHEET:
11
OF 23

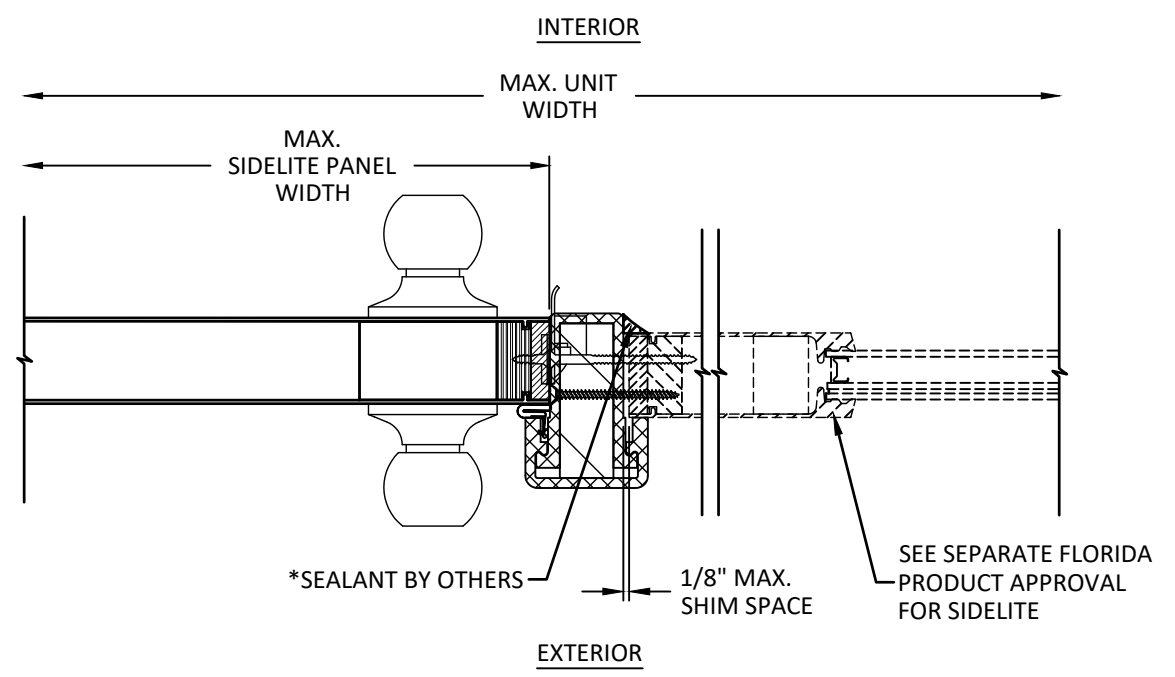
c:\users\julianarodriguez\building_drops, inc\building_drops, inc\building_drops, inc\bc-25-0439_1 - submittal - odl fiberglass doors component additions\dwg\opaque\odl013.dwg 12/10/2025 4:22 PM



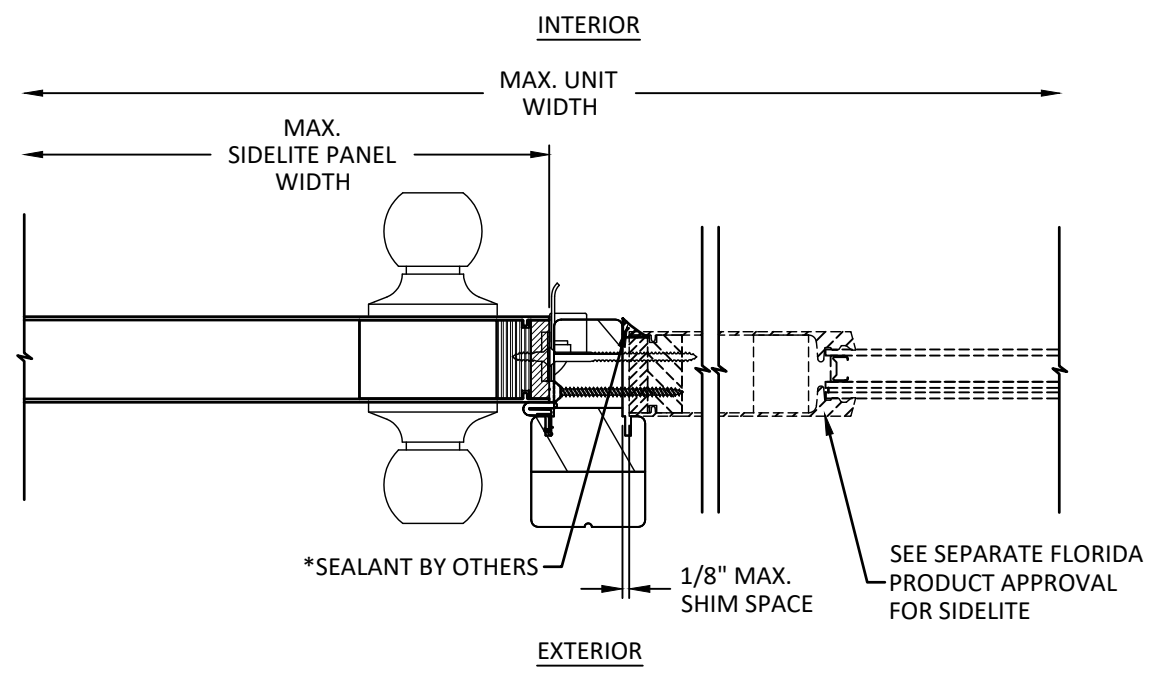
A
14 **HORIZONTAL SECTION**
OUTSWING - PLASTPRO MULLION
CONTINUOUS CONSTRUCTION
RATED TO MAX. DESIGN PRESSURE +/- 50 PSF



C
14 **HORIZONTAL SECTION**
OUTSWING - WOOD PINE MULLION
CONTINUOUS CONSTRUCTION
RATED TO MAX. DESIGN PRESSURE +/- 50 PSF



B
14 **HORIZONTAL SECTION**
INSWING - PLASTPRO MULLION
CONTINUOUS CONSTRUCTION
RATED TO MAX. DESIGN PRESSURE +/- 50 PSF



D
14 **HORIZONTAL SECTION**
INSWING - WOOD PINE MULLION
CONTINUOUS CONSTRUCTION
RATED TO MAX. DESIGN PRESSURE +/- 50 PSF



215 EAST ROOSEVELT AVE.
ZEELAND, MICHIGAN 49464
PH: (800) 253-3900

TITLE: INSWING & OUTSWING OPAQUE FIBERGLASS DOOR (NON-HVHZ) (NON-IMPACT)

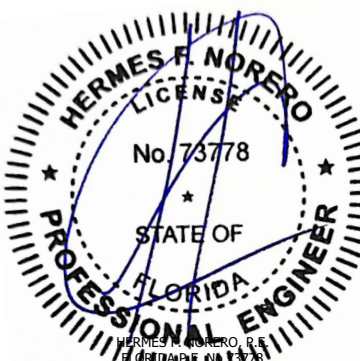
HORIZONTAL SECTIONS

PREPARED BY: BUILDING DROPS, INC.
1900 NE MIAMI CT. SUITE 2-15
MIAMI, FL 33132
PH: (954) 399-8478
FAX: (954) 744-4738
WEB: www.buildingdrops.com



REMARKS	BY	DATE

THE INSTALLATION DETAILS DESCRIBED HEREIN ARE GENERIC AND MAY NOT REFLECT ACTUAL CONDITIONS FOR A SPECIFIC SITE. IF SITE CONDITIONS CAUSE INSTALLATION TO DEVIATE FROM THE REQUIREMENTS DETAILED HEREIN, A LICENSED ENGINEER OR ARCHITECT SHALL PREPARE SITE SPECIFIC DOCUMENTS FOR USE WITH THIS DOCUMENT.



HERMES F. NORERO, R.
REGISTERED PROFESSIONAL ENGINEER
BUILDING DROPS, INC.
1900 NE MIAMI CT. SUITE 2-15
MIAMI, FL 33132
FBPE CERT. OF AUTHORIZATION No. 29578

FL #: **FL47925**

DATE: **12.08.2025**

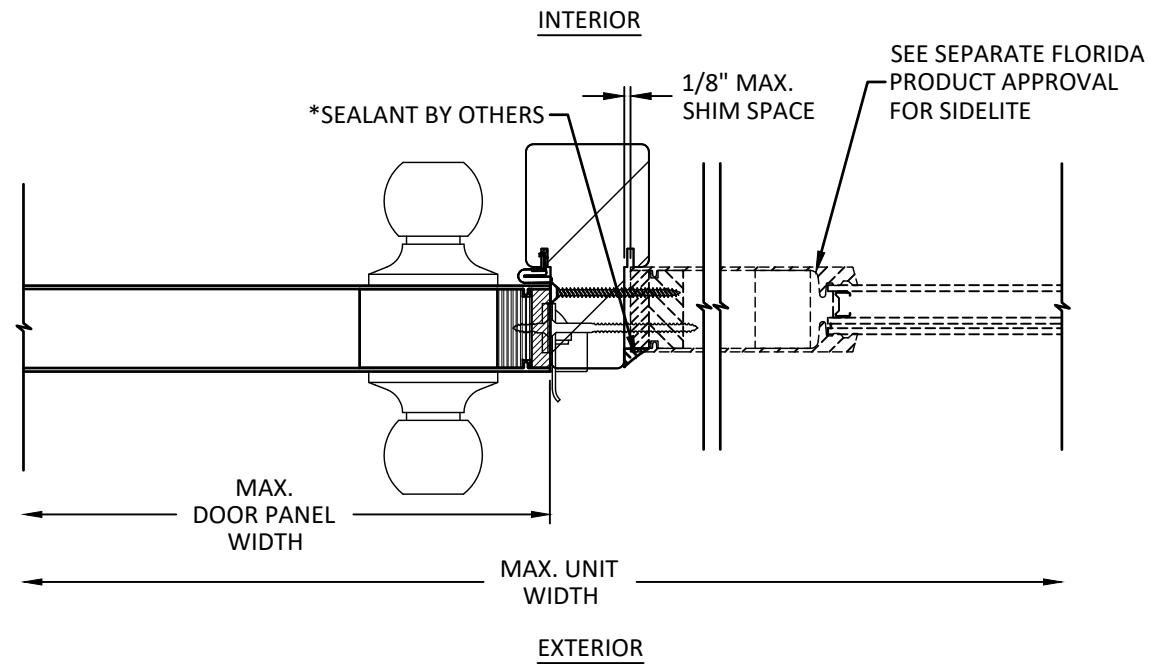
DWG. BY: JR	CHK. BY: HFN
--------------------	---------------------

SCALE: **NTS**

DWG. #: **ODL013**

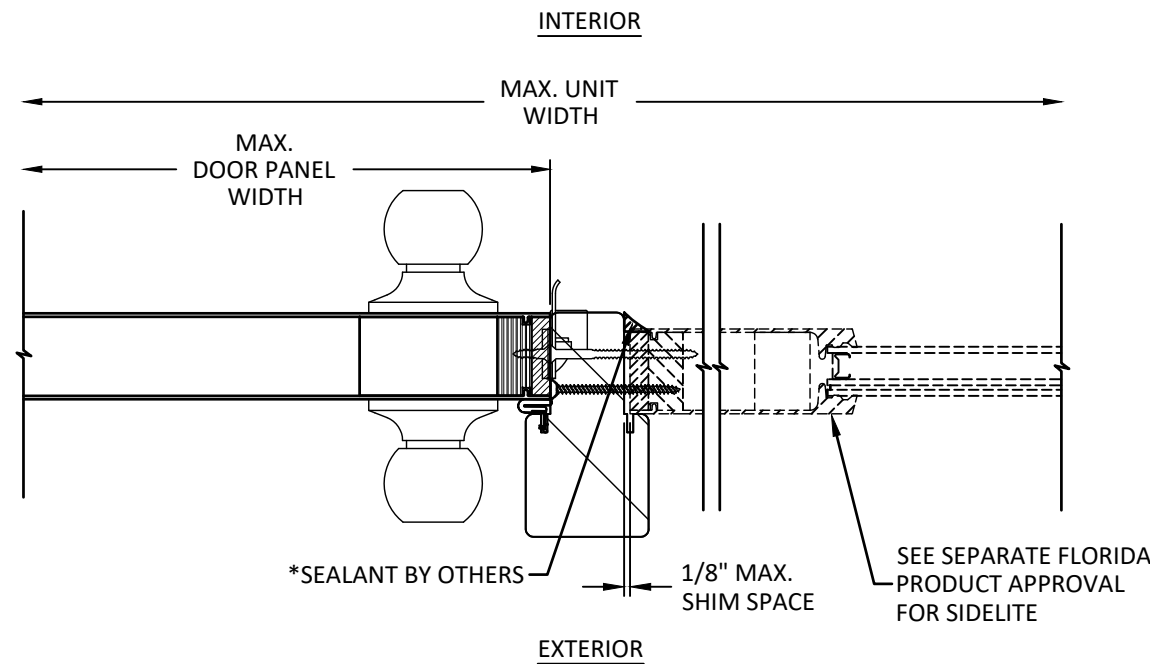
SHEET: **14** OF 23

c:\Users\julianarodriguez\building_drops, inc\building_drops_projects\odl, inc\bc-25-0439_1 - submittal - odl fiberglass doors component additions\dwg\opaque\odl013.dwg 12/10/2025 4:22 PM



A
15 **HORIZONTAL SECTION**

OUTSWING - ENDURA FRAME
SAVER MULLION
CONTINUOUS CONSTRUCTION
RATED TO A MAX. DP OF +/- 32.7 PSF



B
15 **HORIZONTAL SECTION**

INSWING - ENDURA FRAME
SAVER MULLION
RATED TO A MAX. DP OF +/- 32.7 PSF
CONTINUOUS CONSTRUCTION



215 EAST ROOSEVELT AVE.
ZEELAND, MICHIGAN 49464

PH: (800) 253-3900

TITLE:
INSWING & OUTSWING OPAQUE
FIBERGLASS DOOR (NON-HVHZ)
(NON-IMPACT)

HORIZONTAL SECTIONS

PREPARED BY:
BUILDING DROPS, INC.

1900 NE MIAMI CT. SUITE 2-15
MIAMI, FL 33132
PH: (954) 399-8478
FAX: (954) 744-4738
WEB: www.buildingdrops.com



REMARKS	BY	DATE

THE INSTALLATION DETAILS DESCRIBED HEREIN ARE GENERIC AND MAY NOT REFLECT ACTUAL CONDITIONS FOR A SPECIFIC SITE. IF SITE CONDITIONS CAUSE INSTALLATION TO DEVIATE FROM THE REQUIREMENTS DETAILED HEREIN, A LICENSED ENGINEER OR ARCHITECT SHALL PREPARE SITE SPECIFIC DOCUMENTS FOR USE WITH THIS DOCUMENT.



FL #: **FL47925**

DATE: **12.08.2025**

DWG. BY: **JR** CHK. BY: **HFN**

SCALE: **NTS**

DWG. #: **ODL013**

SHEET:
15

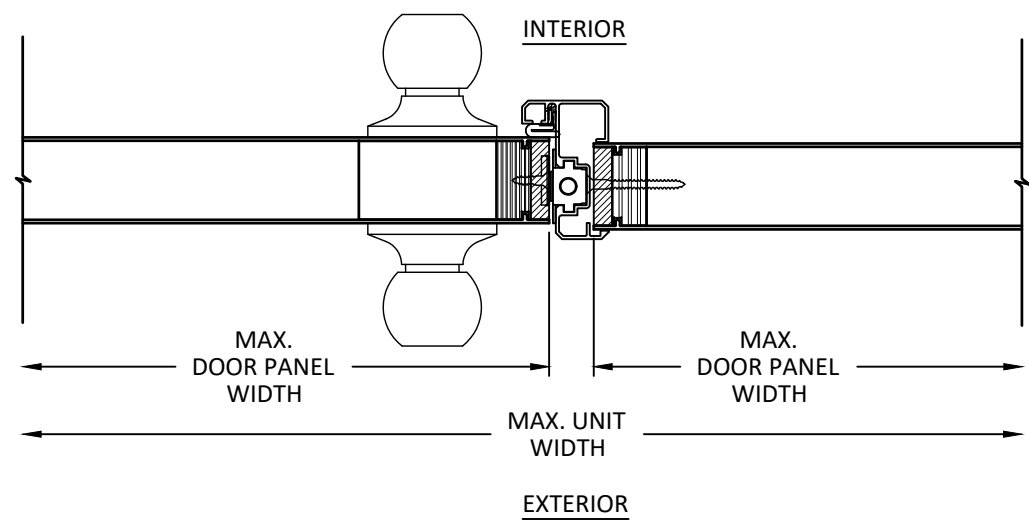
OF 23

c:\users\julianarodriguez\building_drops, inc\building_drops\landings - documents\common\projects\odl, inc\bc-25-0439_1 - submittal - odl fiberglass doors component additions\dwg\opaque\odl013.dwg 12/10/2025 4:22 PM

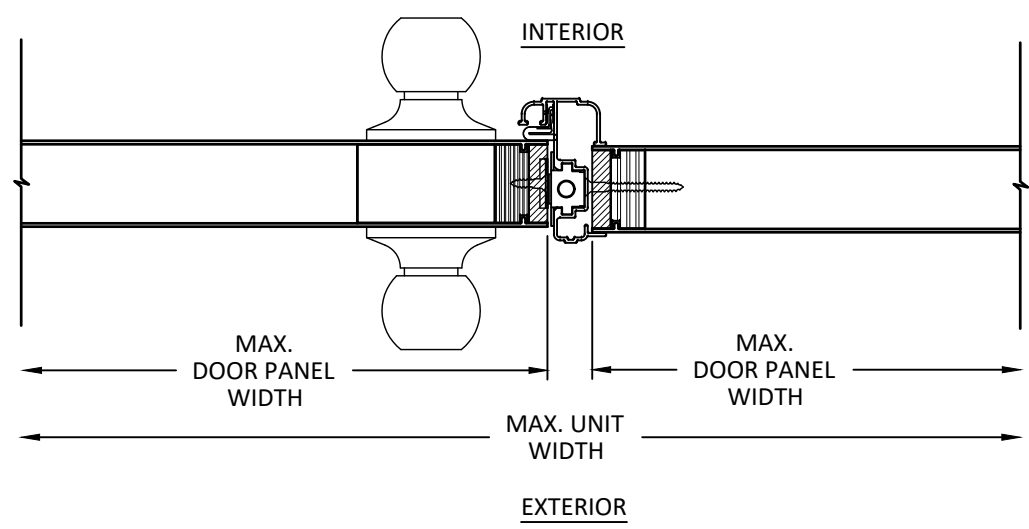


215 EAST ROOSEVELT AVE.
ZEELAND, MICHIGAN 49464

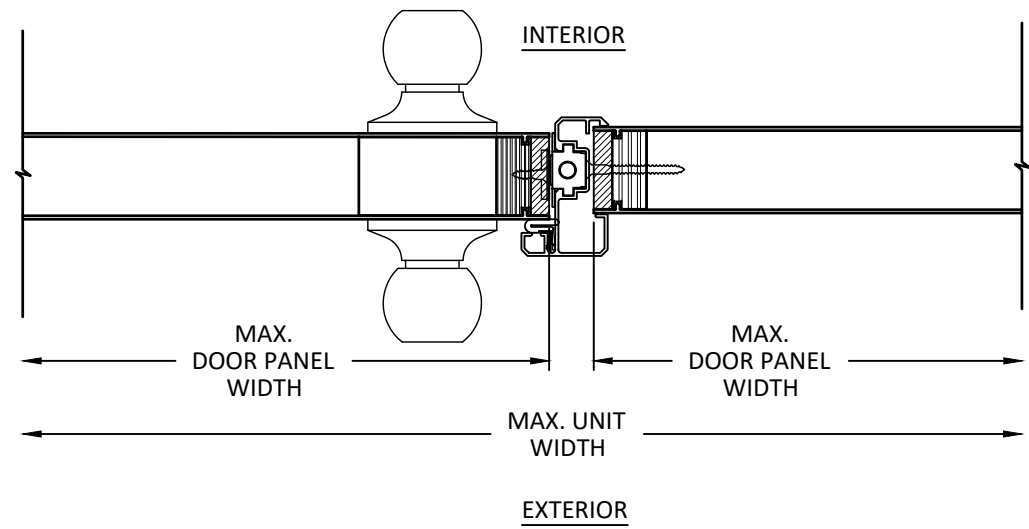
PH: (800) 253-3900



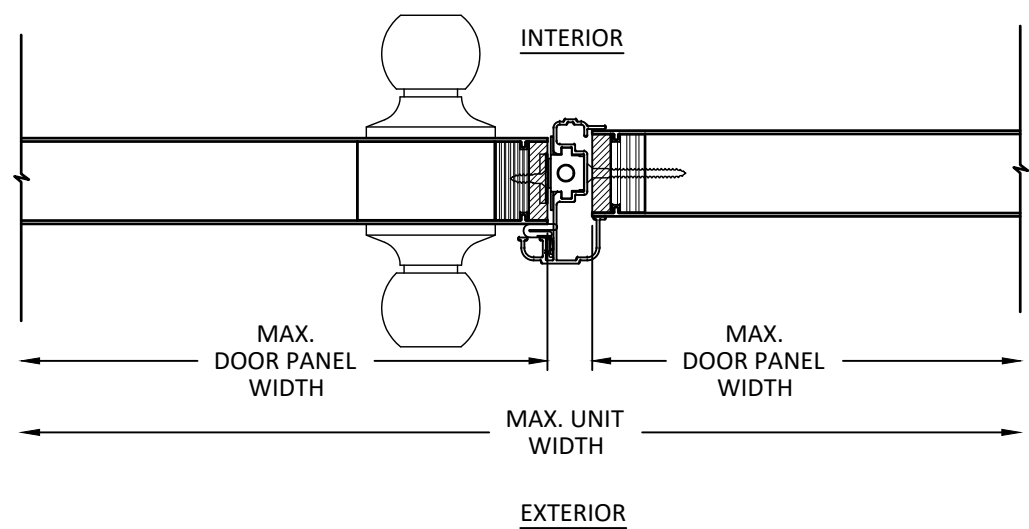
A HORIZONTAL SECTION
16 OUTSWING - DLP MODERN ASTRAGAL
RATED TO MAX. DESIGN PRESSURE +/- 50 PSF



C HORIZONTAL SECTION
16 OUTSWING - DLP TRADITIONAL ASTRAGAL
RATED TO MAX. DESIGN PRESSURE +/- 50 PSF



B HORIZONTAL SECTION
16 INSWING - DLP MODERN ASTRAGAL
RATED TO MAX. DESIGN PRESSURE +/- 50 PSF



D HORIZONTAL SECTION
16 INSWING - DLP TRADITIONAL ASTRAGAL
RATED TO MAX. DESIGN PRESSURE +/- 50 PSF

TITLE:
INSWING & OUTSWING OPAQUE
FIBERGLASS DOOR (NON-HVHZ)
(NON-IMPACT)

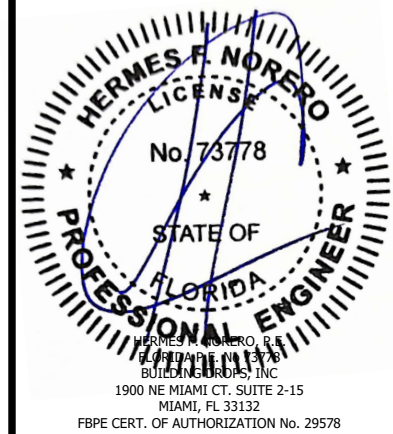
HORIZONTAL SECTIONS

PREPARED BY:
BUILDING DROPS, INC.
1900 NE MIAMI CT., SUITE 2-15
MIAMI, FL 33132
PH: (954) 399-8478
FAX: (954) 744-4738
WEB: www.buildingdrops.com



REMARKS	BY	DATE

THE INSTALLATION DETAILS DESCRIBED HEREIN ARE GENERIC AND MAY NOT REFLECT ACTUAL CONDITIONS FOR A SPECIFIC SITE. IF SITE CONDITIONS CAUSE INSTALLATION TO DEVIATE FROM THE REQUIREMENTS DETAILED HEREIN, A LICENSED ENGINEER OR ARCHITECT SHALL PREPARE SITE SPECIFIC DOCUMENTS FOR USE WITH THIS DOCUMENT.



FL #:
FL47925

DATE: **12.08.2025**

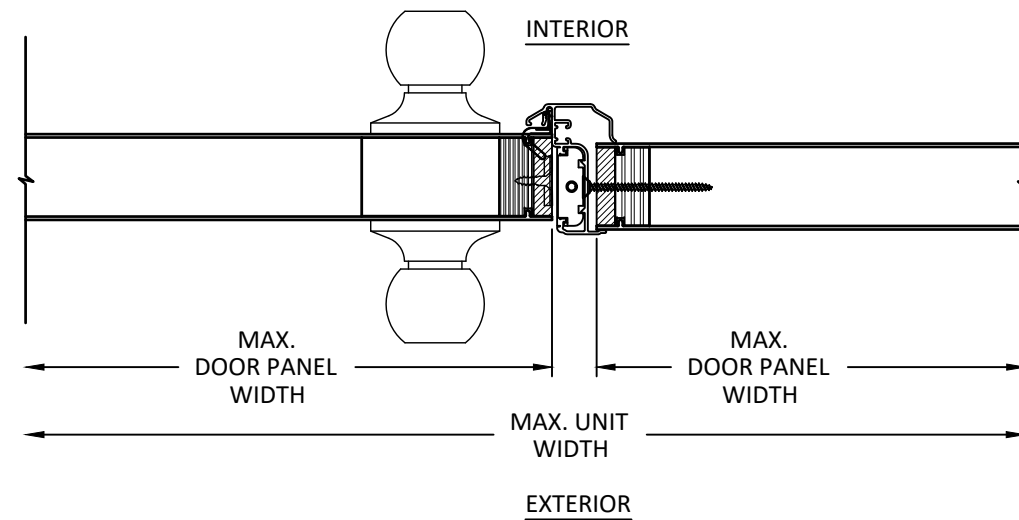
DWG. BY: **JR** CHK. BY: **HFN**

SCALE: **NTS**

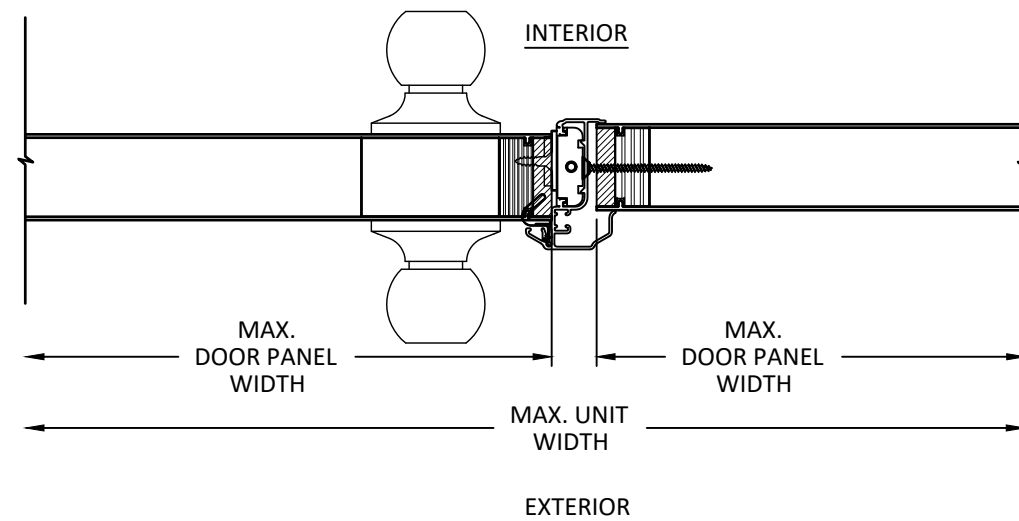
DWG. #: **ODL013**

SHEET:
16
OF 23

c:\Users\julianarodriguez\building_drops, inc\building_drops, inc\building_drops, inc\bc-25-0439_1 - submittal - odl fiberglass doors component additions\dwg\opaque\odl013.dwg 12/10/2025 4:22 PM



A
17 **HORIZONTAL SECTION**
OUTSWING - ENDURA ULTIMATE
HURRICANE ASTRAGAL &
ENDURA ULTIMATE PUSH BUTTON
ASTRAGAL
RATED TO MAX. DESIGN PRESSURE +/- 55 PSF



B
17 **HORIZONTAL SECTION**
INSWING - ENDURA ULTIMATE
HURRICANE ASTRAGAL &
ENDURA ULTIMATE PUSH BUTTON
ASTRAGAL
RATED TO MAX. DESIGN PRESSURE +/- 55 PSF



215 EAST ROOSEVELT AVE.
ZEELAND, MICHIGAN 49464

PH: (800) 253-3900

TITLE:
INSWING & OUTSWING OPAQUE
FIBERGLASS DOOR (NON-HVHZ)
(NON-IMPACT)
HORIZONTAL SECTIONS

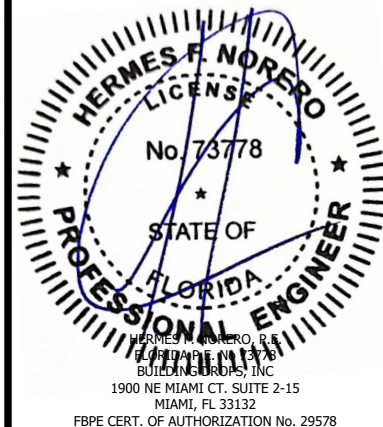
PREPARED BY:
BUILDING DROPS, INC.

1900 NE MIAMI CT. SUITE 2-15
MIAMI, FL 33132
PH: (954) 399-8478
FAX: (954) 744-4738
WEB: www.buildingdrops.com



REMARKS	BY	DATE

THE INSTALLATION DETAILS DESCRIBED HEREIN ARE GENERIC AND MAY NOT REFLECT ACTUAL CONDITIONS FOR A SPECIFIC SITE. IF SITE CONDITIONS CAUSE INSTALLATION TO DEVIATE FROM THE REQUIREMENTS DETAILED HEREIN, A LICENSED ENGINEER OR ARCHITECT SHALL PREPARE SITE SPECIFIC DOCUMENTS FOR USE WITH THIS DOCUMENT.



FL #:
FL47925

DATE: **12.08.2025**

DWG. BY: **JR** CHK. BY: **HFN**

SCALE: **NTS**

DWG. #: **ODL013**

SHEET:
17

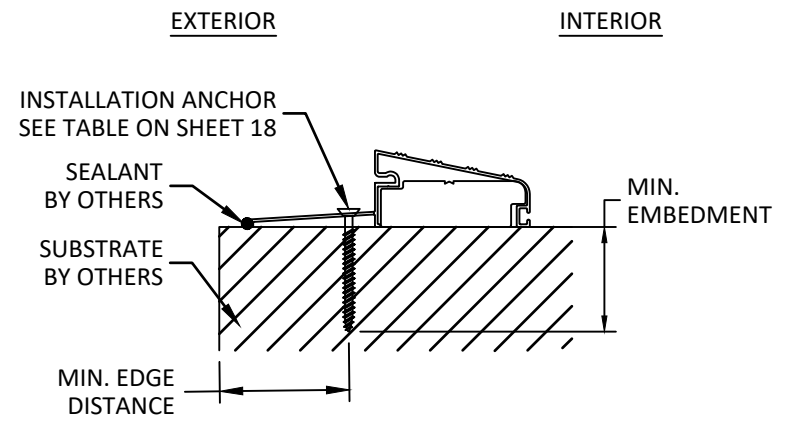
OF 23

c:\Users\julianarodriguez\building_drops, inc\building_drops\projects\odl, inc\bc-25-0439_1 - submittal - odl fiberglass doors component additions\dwg\opaque\odl013.dwg 12/10/2025 4:22 PM

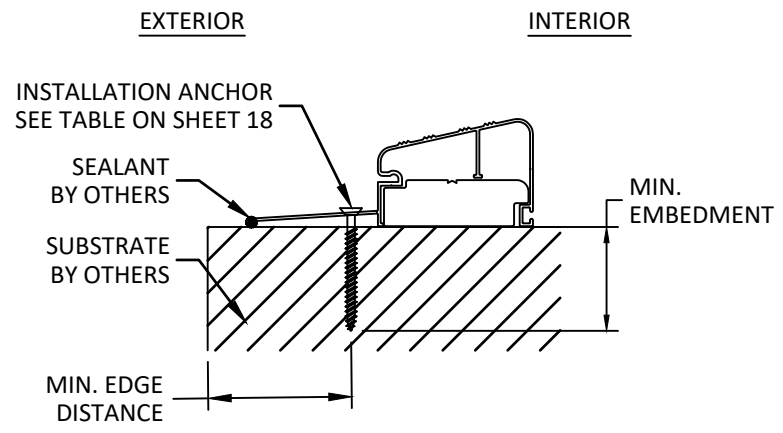


215 EAST ROOSEVELT AVE.
ZEELAND, MICHIGAN 49464

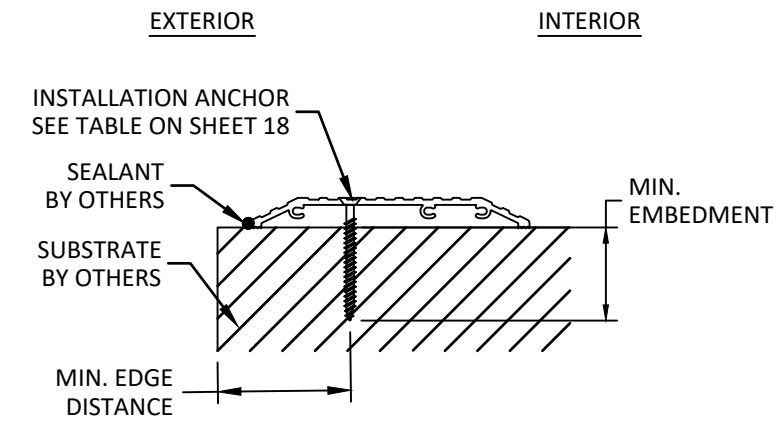
PH: (800) 253-3900



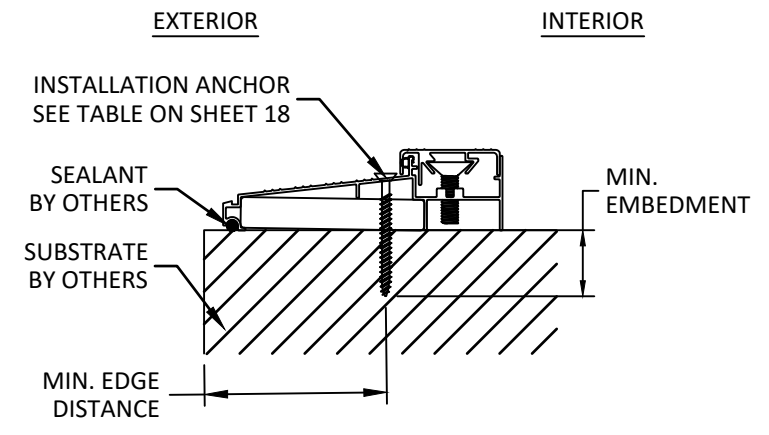
A
19 ANCHOR DETAIL
QOSH SILL



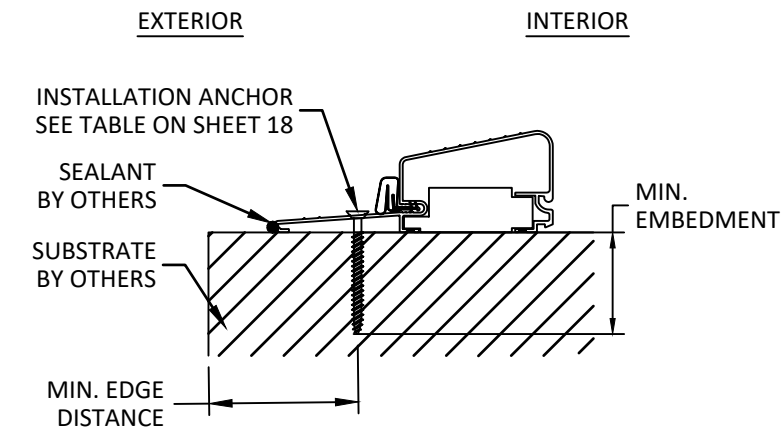
B
19 ANCHOR DETAIL
QOSR SILL



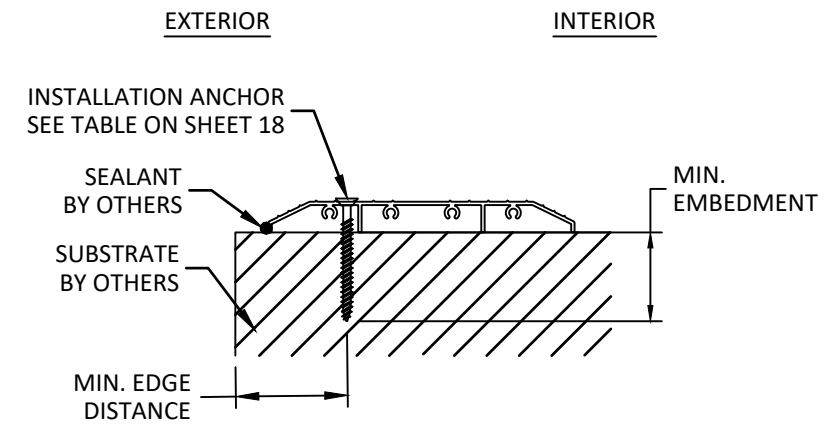
C
19 ANCHOR DETAIL
DLP ADA DB4565DL SILL



D
19 ANCHOR DETAIL
DLP ISCS SILL



E
19 ANCHOR DETAIL
AFCO H-497 SILL



F
19 ANCHOR DETAIL
ENDURA HC15000 ADA SILL

TITLE:
INSWING & OUTSWING OPAQUE
FIBERGLASS DOOR (NON-HVHZ)
(NON-IMPACT)

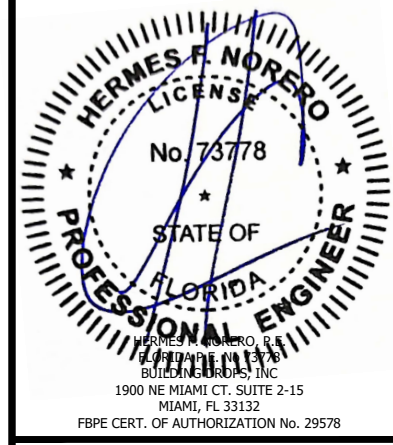
ANCHOR DETAILS

PREPARED BY:
BUILDING DROPS, INC.
1900 NE MIAMI CT, SUITE 2-15
MIAMI, FL 33132
PH: (954) 399-8478
FAX: (954) 744-4738
WEB: www.buildingdrops.com



REMARKS	BY	DATE

THE INSTALLATION DETAILS DESCRIBED HEREIN ARE GENERIC AND MAY NOT REFLECT ACTUAL CONDITIONS FOR A SPECIFIC SITE. IF SITE CONDITIONS CAUSE INSTALLATION TO DEVIATE FROM THE REQUIREMENTS DETAILED HEREIN, A LICENSED ENGINEER OR ARCHITECT SHALL PREPARE SITE SPECIFIC DOCUMENTS FOR USE WITH THIS DOCUMENT.



FL #: **FL47925**

DATE: **12.08.2025**

DWG. BY: **JR** CHK. BY: **HFN**

SCALE: **NTS**

DWG. #: **ODL013**

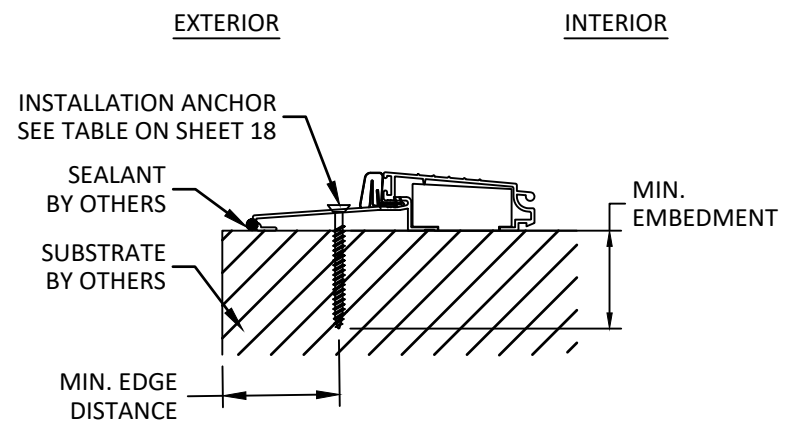
SHEET:
19
OF 23

c:\users\julianarodriguez\building_drops, inc\building_drops\landings - documents\common\projects\odl, inc\bc-25-0439-1 - submittal - odl fiberglass doors component additions\dwg\opaque\odl013.dwg 12/10/2025 4:22 PM

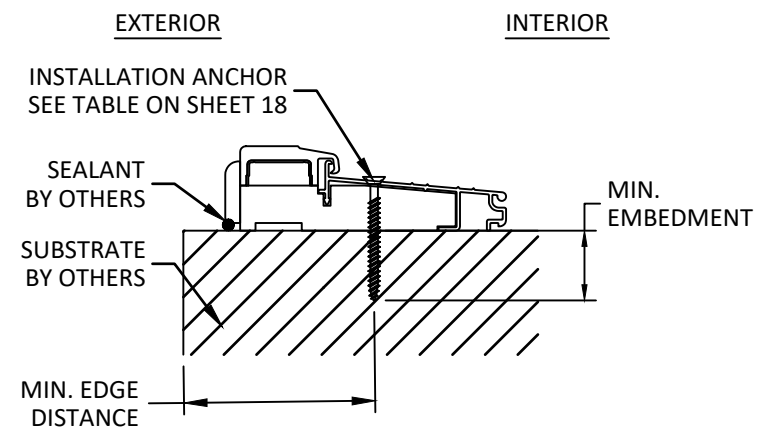


215 EAST ROOSEVELT AVE.
ZEELAND, MICHIGAN 49464

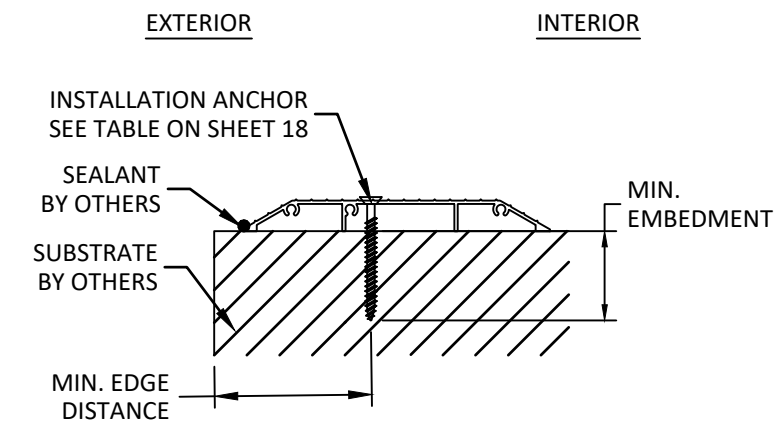
PH: (800) 253-3900



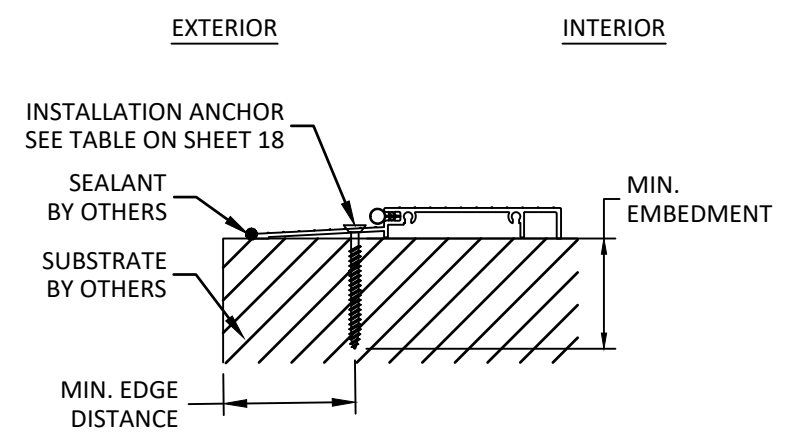
A
20 ANCHOR DETAIL
AFCO A-117 SILL



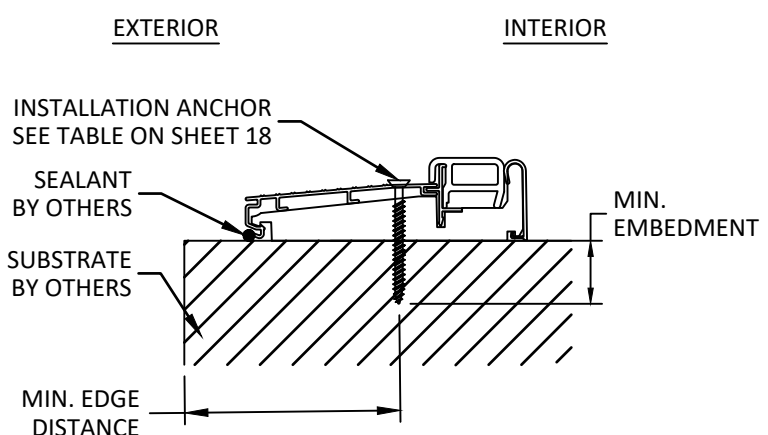
B
20 ANCHOR DETAIL
AFCO A-276 SILL



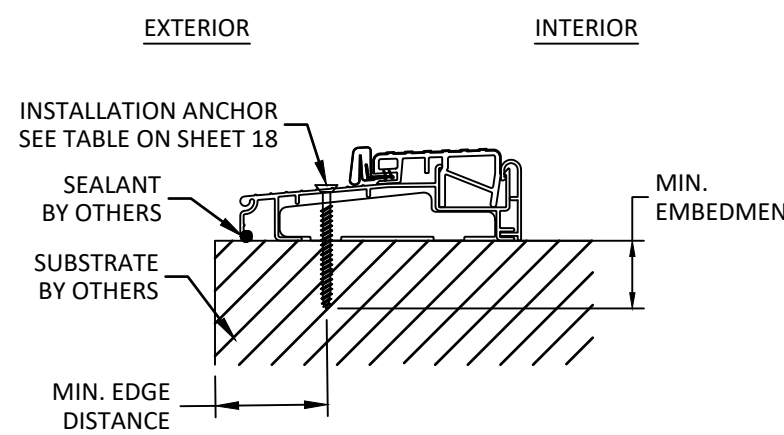
C
20 ANCHOR DETAIL
AFCO A-204 SILL



D
20 ANCHOR DETAIL
AFCO A-204T SILL



E
20 ANCHOR DETAIL
ENDURA ZAILAA4565 SILL

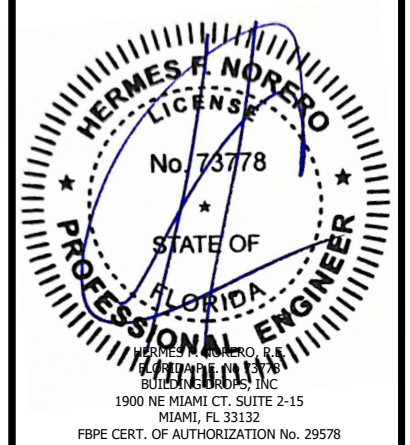


F
20 ANCHOR DETAIL
ENDURA ZOBL4565 SILL

TITLE: INSWING & OUTSWING OPAQUE FIBERGLASS DOOR (NON-HVHZ) (NON-IMPACT)
ANCHOR DETAILS
PREPARED BY: BUILDING DROPS, INC.
1900 NE MIAMI CT. SUITE 2-15
MIAMI, FL 33132
PH: (954) 399-8478
FAX: (954) 744-4738
WEB: www.buildingdrops.com

REMARKS	BY	DATE

THE INSTALLATION DETAILS DESCRIBED HEREIN ARE GENERIC AND MAY NOT REFLECT ACTUAL CONDITIONS FOR A SPECIFIC SITE. IF SITE CONDITIONS CAUSE INSTALLATION TO DEVIATE FROM THE REQUIREMENTS DETAILED HEREIN, A LICENSED ENGINEER OR ARCHITECT SHALL PREPARE SITE SPECIFIC DOCUMENTS FOR USE WITH THIS DOCUMENT.



FL #: **FL47925**

DATE: **12.08.2025**

DWG. BY: **JR** CHK. BY: **HFN**

SCALE: **NTS**

DWG. #: **ODL013**

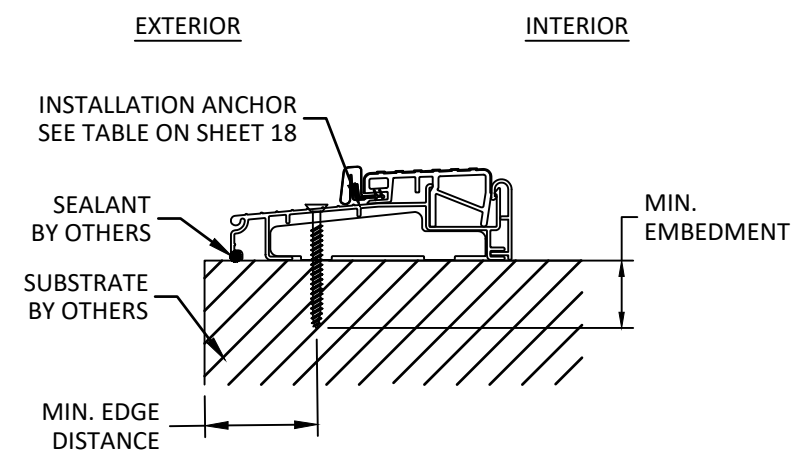
SHEET: **20**
OF 23

c:\users\julianarodriguez\building_drops, inc\building_drops_landing - documents\common\projects\odi, inc\bc-25-0439_1 - submittal - odi fiberglass doors component additions\dwg\opaque\odi013.dwg 12/10/2025 4:22 PM

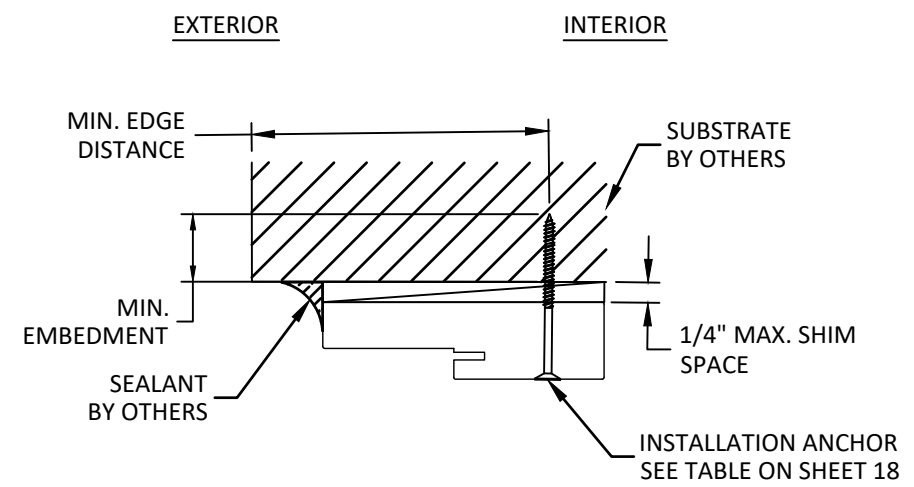


215 EAST ROOSEVELT AVE.
ZEELAND, MICHIGAN 49464

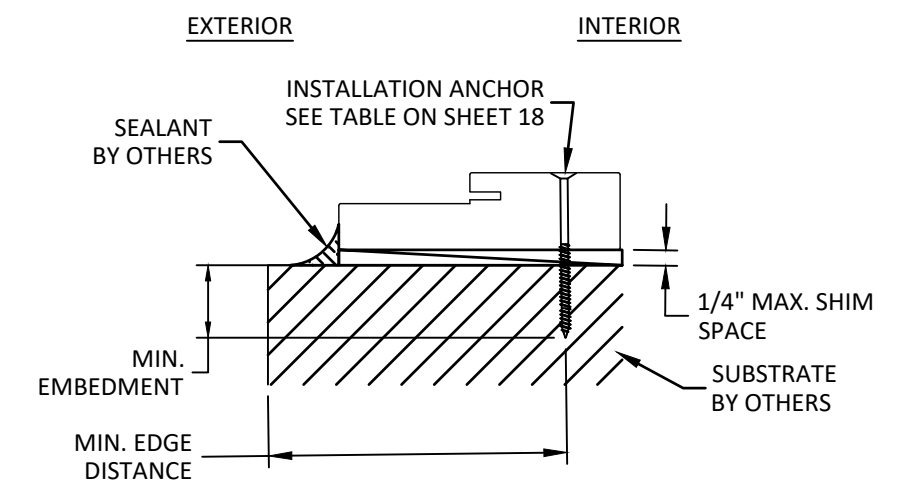
PH: (800) 253-3900



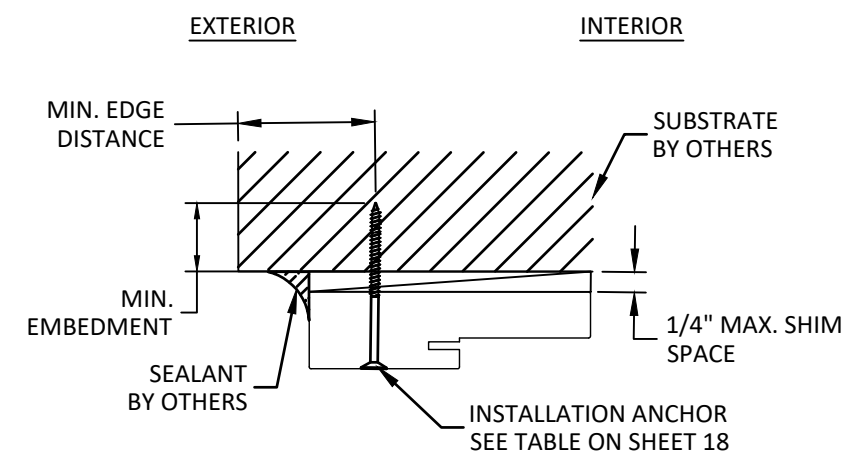
A
21 ANCHOR DETAIL
ENDURA ZOB4565FN SILL



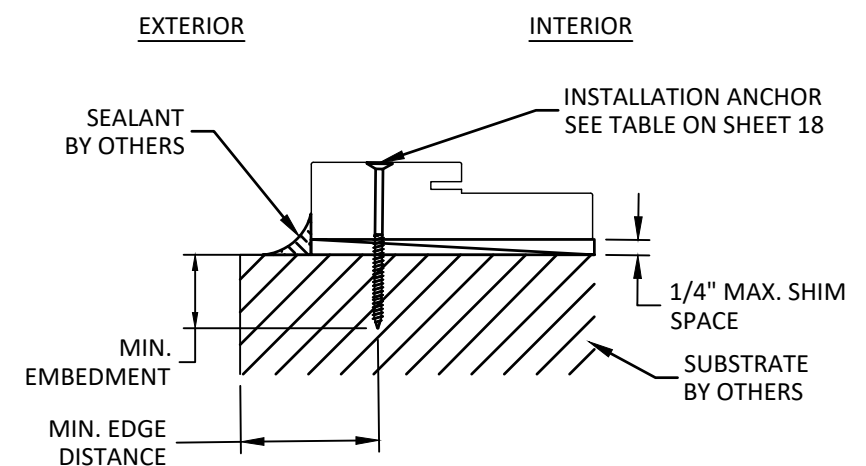
B
21 ANCHOR DETAIL
OUTSWING - DOOR HEAD
JAMB SIMILAR



C
21 ANCHOR DETAIL
OUTSWING - SIDELITE SILL
HEAD AND JAMB SIMILAR



D
21 ANCHOR DETAIL
INSWING - DOOR HEAD
JAMB SIMILAR

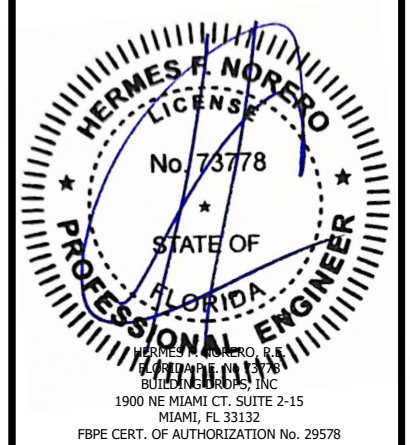


E
21 ANCHOR DETAIL
INSWING - SIDELITE SILL
HEAD AND JAMB SIMILAR

TITLE: INSWING & OUTSWING OPAQUE FIBERGLASS DOOR (NON-HVHZ) (NON-IMPACT)
ANCHOR DETAILS
PREPARED BY: BUILDING DROPS, INC.
1900 NE MIAMI CT, SUITE 2-15
MIAMI, FL 33132
PH: (954) 399-8478
FAX: (954) 744-4738
WEB: www.buildingdrops.com

REMARKS	BY	DATE

THE INSTALLATION DETAILS DESCRIBED HEREIN ARE GENERIC AND MAY NOT REFLECT ACTUAL CONDITIONS FOR A SPECIFIC SITE. IF SITE CONDITIONS CAUSE INSTALLATION TO DEVIATE FROM THE REQUIREMENTS DETAILED HEREIN, A LICENSED ENGINEER OR ARCHITECT SHALL PREPARE SITE SPECIFIC DOCUMENTS FOR USE WITH THIS DOCUMENT.



FL #: **FL47925**

DATE: **12.08.2025**

DWG. BY: **JR** CHK. BY: **HFN**

SCALE: **NTS**

DWG. #: **ODL013**

SHEET: **21**
OF 23

